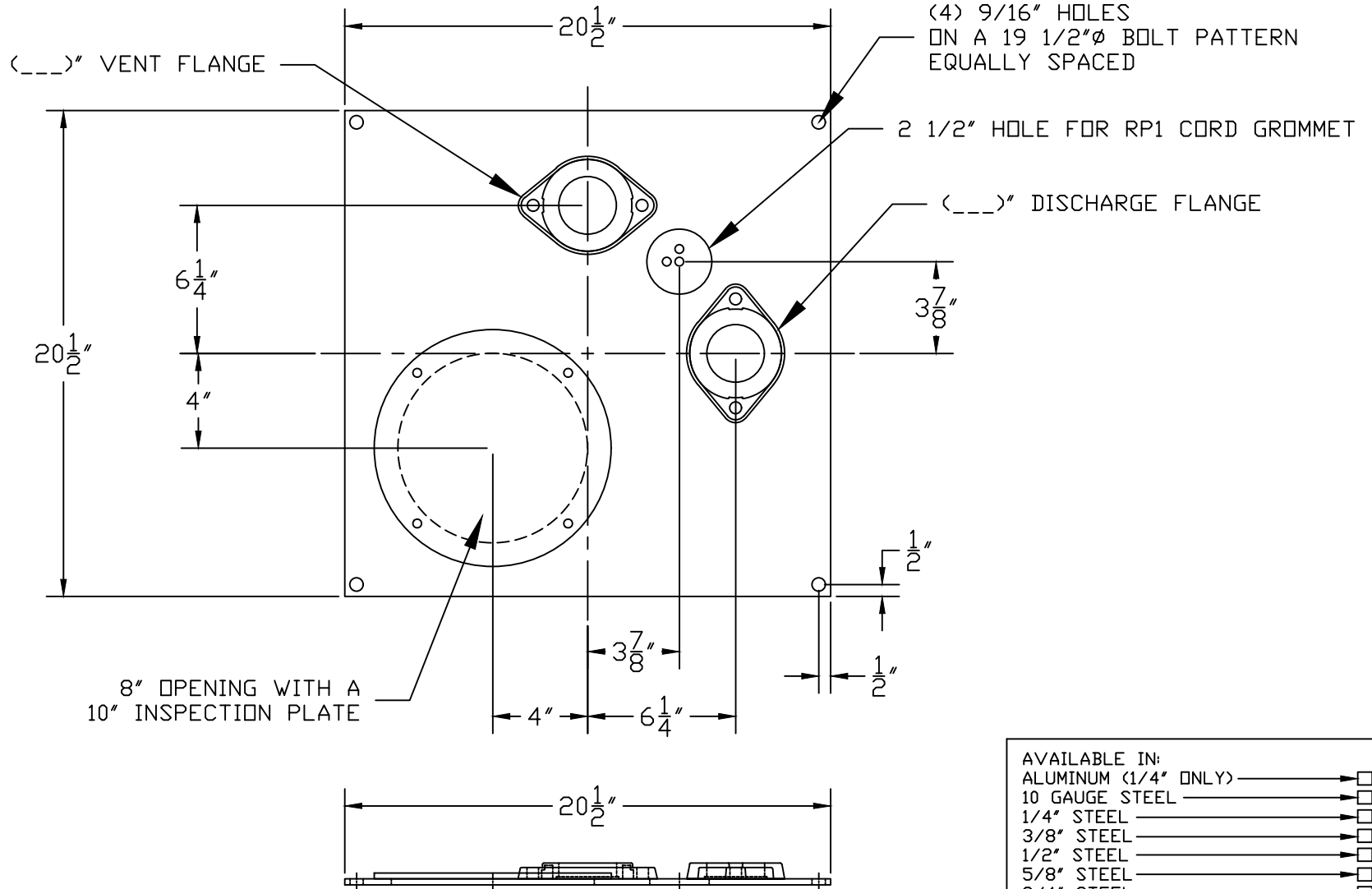


PART/PRINT NO.
LB-1801-01-1

PART DESCRIPTION
SQUARE SIMPLEX COVER W/ INSPECTION PLATE

DATE
06/16/16

THIS DRAWING IS THE SOLE PROPERTY OF AK INDUSTRIES INC.



- AVAILABLE IN:
- ALUMINUM (1/4" ONLY)
 - 10 GAUGE STEEL
 - 1/4" STEEL
 - 3/8" STEEL
 - 1/2" STEEL
 - 5/8" STEEL
 - 3/4" STEEL
 - 1" STEEL
 - GALVANIZED (STEEL ONLY)
 - EPOXY COATED (STEEL ONLY)



AK INDUSTRIES INC.
2055 PIDCO DR.
PLYMOUTH, IN. 46563
PHONE: (574) 936-6022

DRAWN BY:
A. HARTUNG

SCALE:
NOT TO SCALE

REVISION #:

SIGNATURE: